



FORD F-150 RAPTOR

MODEL YEAR 2025





Engine

3.5L V6 EcoBoost® High Output Engine with Auto Start-Stop Technology

Version Code: W1R250022

456 Horsepower
691 Nm of Torque

Configuration

Supercrew with 5.5' box and 145" wheelbase

Drivetrain

Two-Speed TOD with Hi-Lock Transfer Case

Interior

BB - Black Onyx interior with Leather Bucket seats

Exterior Options

Agate Black Metallic / Oxford White / Shelter Green Metallic

Key Highlights

Technical Highlights

- 360-degree camera with front and rear parking sensors
- Head-Up Display (NEW!)
- B&O® Unleashed by Bang & Olufsen® (14 Speakers including Subwoofer)
- Remote Start System with Remote Tailgate Release
- Adaptive cruise control
- 136 L Extended Range Fuel Tank
- Pro Power Onboard – 2KW
- 2-Speed Torque-On-Demand 4x4 with Mechanical Locking transfer case
- Intelligent Access with Push-Button Start (incl. Approach Detection)
- Pro Trailer Back-up Assist with Hitch Assist
- Terrain Management System with seven modes: Normal, Sport, Tow/Haul, Slippery, Rock Crawl, Off-Road, Baja
- Trail Control™ with Trail 1-Pedal Drive and Trail Turn Assist

Interior Highlights

- 12" Digital Drivers display and SYNC 4 infotainment
- 10-way Power Driver w/ Memory and 8-way Power Front Passenger Seat
- Heated and Ventilated Front Seats
- Second-Row Heated Seats
- Partitioned lockable fold-flat rear seat storage
- Wireless Apple Carplay and Android Auto
- Navigation center
- Twin Panel Moonroof (43V)
- Dual-zone Electronic Automatic Temperature Control (DEATC)
- Wireless Charger
- Interior work surface with stowable shifter
- Heated Unique Sport Leather Wrapped steering wheel
- Power-Sliding rear-window with Privacy Tint and Defrost
- Unique Floor Mats - Rubber all-weather Raptor™ Branded

Exterior Highlights

- Tailgate Appliqué "FORD"
- Flared Front Fenders, Flared Pickup Box Outers and Hood w/Air Extractors
- Unique Long Travel Suspension Set-up
- Dual exhaust with black tips
- 17" Cast Aluminum wheels with 35" tires
- Cast-Aluminum Running Boards
- LED Projector with Dynamic Bending Headlamps
- 360-degree Zone lighting with additional box lights
- BoxLink premium locking cleats
- Bedliner Touch Bed Spray-in (96W)
- Bed storage box
- Skid Plates – Heavy-Duty – Front and Engine
- Fox Racing Shox™ with Live Valve Technology
- Power Tailgate (incl. Tailgate Step and Tailgate Work Surface)

Included Packages

Packages refer to factory-installed equipment groups and option packages that come pre-configured with the vehicle. They enhance the vehicle beyond its standard features, adding additional functionality, styling, or performance upgrades as specified in the list below.

Equipment group (801A)

Heat & vent front seats

Adaptive Cruise & full driver assistance suite

B&O 14 spkr

Heads-up display

Cast aluminium sidesteps

Dual exhaust with black tips

17" wheels w/ 35" tire

360-degree camera

Twin Panel Moonroof (43V)

Bedliner Tough Bed spray in (96W)

Mobile Office Package (50M)

Interior Work Surface

Flowthrough Console - Vinyl Lid

Under seat storage

Partitioned lockable fold-flat storage

Onboard 400W outlet

Wireless Charger

Bed Utility Package (68L)

Tailgate with flexible step

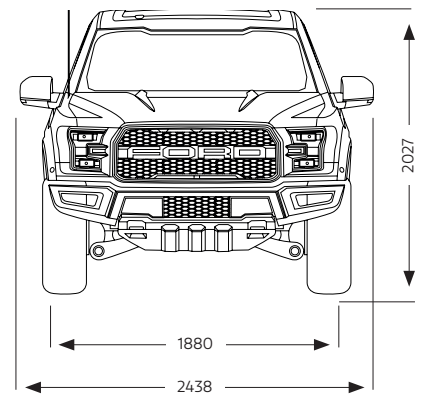
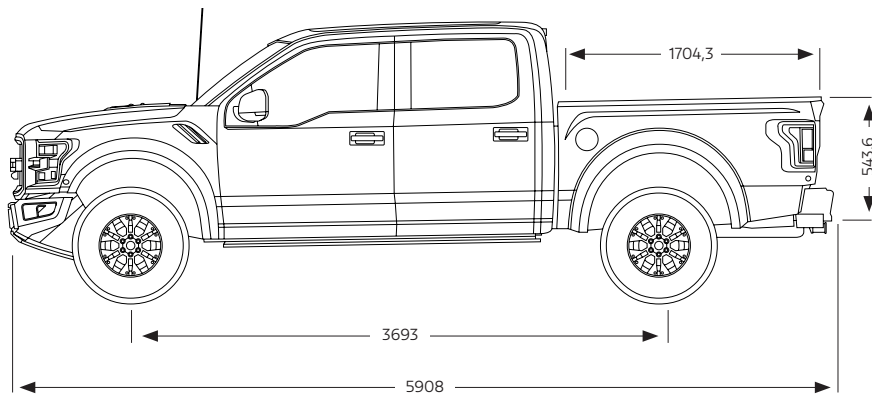
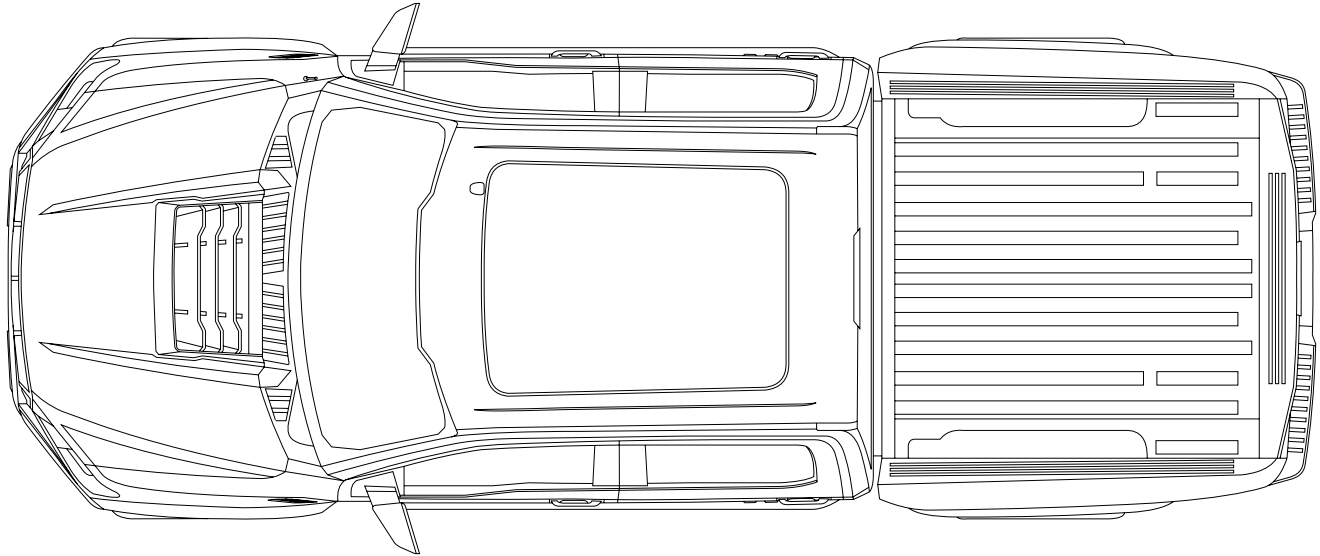
Power tailgate

Box light

BoxLink system

Dimensions

Length: 5 908 mm / Width: 2 200 mm / Height: 2 027 mm



Emissions

Raptor

Final Gear Ratio

4.10 with E-locker

Fuel Consumption

16,44 l/100 km

CO2 Emission

293 g/km

Exterior Features

Exterior

Fascia - Front - Accent Color & Body Color

Body-Color Handles - Door, Tailgate and Bezel

Running Boards - Cast Aluminum

Front Suspension Skid Plate

Skid Plates

Mirrors - Dual Power-folding, Power Glass Sideview Mirrors with Heat, Turn Signal, Memory, Auto-Dimming Feature (Driver's Side), HighIntensity LED Security Approach Lamps.

Exterior Mirror Finish - Body-color

Belt Moldings - Black

Performance Bumper - Front - Unique Plastic

Unique Accent Color Bumper - Rear

Unique Raptor Grille With Carved "FORD" Crossbar - Painted

Tailgate Badge - Phantom

Front License Plate Bracket

Premium Underbody Coating

Water Wading Equipment

Power Dome Hood with functional heat extractors - Hood Applique

Tailgate Appliqué - Magnetic-Painted With Raised "FORD" Lettering

Unique Front & Rear-Wheel Lip Moldings - Accent Color

Exterior Lighting

LED Projector with Dynamic bending Headlamps

Daytime Running Lamps (DRL) (On/Off Cluster Controllable)

Auto High Lamp Headlamp

Zone Lighting - 360-Degree Exterior Illumination

Trailer Hook Up Light - Fixed

LED Taillamps

LED Sideview Mirror Spotlights - Left/Right Hand Spotlights

Fog Lamps - Front/Rear

Center High-Mounted Stop Lamp

Glass / Visibility

Twin Panel Moonroof SuperCrew®

Electronic Rear-Window Defroster

Power-Sliding Rear Window

Acoustic Laminated Windscreen

Rain-sensing wipers

Rear Privacy Glass

Power Front/Rear Side Windows

Bed Utility

Tailgate with Integrated Step and Work Surface

BoxLink Tie-down System (Includes four (4) locking cleats)

Powered Tailgate - Key-operated Release and Close

Bed Storage Box

Hooks - Four Standard Tie-downs, Pickup Box

Tailgate - Removable with key lock

Bedliner - Tough Bed® spray-in

Bed camera

Interior Features

Instrument Panel and Console

SYNC 4 12" LCD Capacitive Touchscreen with Wireless Apple CarPlay® and Android Auto™ Compatibility

Drivers Display - 12" Productivity Screen

Navigation Center

Heads-Up Display

Dual-zone Electronic Automatic Temperature Control (DEATC)

Heated Unique Sport Leather Wrapped Steering Wheel

Interior Work Surface

Wireless Charger

Leather Wrapped E-Shift Gear Lever

Glove Box Lights

Ambient Lighting – Ice Blue Color Only

Speedometer - KPH/MPH

Overhead Console

6 Auxiliary Switches in Overhead Console

Centre Console - Vinyl

Auto-Dimming Rearview Mirror

Sunvisor - Single Illuminated - Driver and Passenger

Universal Garage Door Opener (HomeLink Compatible)

Compass Display in Instrument Cluster

Seats and Trim

Heated and ventilated 10-way power driver and multi-adjustable power front passenger seat (power lumbar driver/passenger) and memory driver's seat.

Front Seats - Bucket Seats 40/Console/40

Interior Trim with Accent Stitch

Interior Trim Color - Black Onyx

Raptor Leather Seats

Headrests - Front 4-way

Seat - Rear - Heated Seats

Seat - Rear - 60/40 flip-up split seat with elongated cushion (SuperCrew®)

Map Pockets - Driver Seat Back Mounted

Map Pockets - Passenger Seat Back Mounted

Rear Center Armrest with Cupholder

Door Sill Scuff Plates

Interior Floor - Dark Carpeting

Floor Mats - Front - Tray-style All-Weather Rubber Mats Unique Raptor™ Branded

Floor Mats - Rear - All-Weather Rubber Floor

Under-seat, lockable, fold-flat storage with partitions

Mechanical Features

Engine

3.5L V6 EcoBoost® High Output Engine with Auto Start-Stop Technology

Engine Fan - Brushless 800W

Exhaust - Dual pipe, Active valve System

Unleaded Fuel Capability

4.1 Final Drive Ratio w/ E-Locking Differential

Axle Size - 9.75"

Transmission & Transfer case

Electronic Ten-Speed Automatic

SelectShift® Automatic Transmission with Progressive Range Select and Paddle Shifters

Two-Speed TOD with Hi-Lock Transfer Case with Mechanical-locking 4WD

Selectable 4WD with High, Low, and Auto Modes

Torsen Front Differential

Suspension & Brakes

Shock Absorbers – Front and Rear – Fox Racing Shox™ with Live Valve Technology

Long-Travel Coil-Over-Shock Double-Wishbone Front Suspension

Long-Travel Rear Suspension with 5-Link Design and Panhard Rod

Axle, Front – Independent Front Suspension (IFS)

Skid Plates – Heavy-Duty – Front and Engine

Electric Parking Brake - Medium

Brakes – 4-Wheel Disc with ABS

Integrated Trailer Brake Controller

Towing

Front and Rear Tow Hooks

EU-approved Tow hitch

Class IV Trailer Hitch (incl. Smart Trailer Tow Connector, 13-pin connector (ISO 11446))

Trailer Tow Lighting Module

Fuel System

Export Fuel Fill

136L Extended Range Fuel Tank

Power Supply / Other Mechanical

Pro Power Onboard – 2KW Power-to-the-Box (US Power Outlet, EU Availability TBD)

Stop/Start System

Remote Starter

Horn – Dual-Note

H7 Battery

Heavy-Duty Jack

Safety / Driving Assistance Features

Driver Information / Driving Assistance

Trailer Hitch Guide

Pro Trailer Backup Assist

Pre-Collision Assist with Automatic Emergency Braking (AEB)

Post-Collision Braking

Adaptive Cruise Control

Blindspot Monitoring (BLIS) with Trailer Coverage

Lane Centering Assistance with Lane Changing Warning

Reverse Sensing System

Front Parking Aid

Reverse Brake Assist with Cross-Traffic Alert

Towing Vision System (360° Camera + Towing)

Outside Temperature Display

Emergency Assistance

Pedals, Power-Adjustable w/Memory

Steering Column - Power Tilt/Telescoping with Memory

Trail Control™ with Trail 1-Pedal Drive and Trail Turn Assist

Airbags - Front and Seat-Mounted Side Airbag, Driver/ Passenger. Safety Canopy Side-Curtain Airbags (1st and 2nd row)

Security and Locking

Intelligent Access with Push-Button Start (incl. Approach Detection)

SecuriLock® Passive Anti-Theft System (PATS) with Electronically Coded Ignition Key

Panic Alarm

Remote Keyless Entry with Power Door Locks and Auto-Lock Feature

Audio

B&O® Unleashed by Bang & Olufsen® with HD Radio™ (14 Speakers including Subwoofer)

SYNC® 4 with Enhanced Voice Recognition

Sound Insulation Pack - Level 1

Active noise control

Export Radio Frequency

Wheels & Tires

17" Cast Aluminum Wheels - Black

315/70R17 BSW All-Terrain (A/T) Tires

Dark Grey Ford Center Caps

Bright Wheel Lug Nuts

Tire Pressure Sensors - 433 MHz Low

Spare Wheel & Tire

Spare Wheel - 17" Aluminum

Spare Tire - LT315/70R17 BSW all-terrain (A/T)



Vehicles may be shown with optional equipment. Features may be offered only in combination with other options or subject to additional ordering requirements/limitations. Dimensions shown may vary due to optional features and/ or production variability. Information is provided on an "as is" basis and could include technical, typographical or other errors. Ford & Hedin US Motor makes no warranties, representations, or guarantees of any kind, express or implied, including but not limited to, accuracy, currency, or completeness, the operation of the information, materials, content, availability, and products. Hedin US Motor reserves the right to change product specifications, pricing and equipment at any time without incurring obligations.

Fuel consumption (combined): 10.15-16.44 l/100km; CO2 emissions (combined): 242-342 g/km. Consumption and emission figures are calculated according to Regulation (EC) 692/2008 and comply with California Code regulations. Note: values may not fully represent real-world driving conditions.

Published by Hedin US Motor AB. ©2025 Hedin US Motor AB

