



FORD F-150 LARIAT

MODEL YEAR 2025



Configuration

Supercrew with 5.5' box and 145" WB

Drivetrain

Electronic Ten-Speed Auto Transmission - 4x4
Two-Speed Torque-on-Demand Transfer Case

Interior

BB - Black Onyx interior
with ActiveX Bucket seats

Exterior Options

Agate Black Metallic / Carbonized Grey Metallic

Available Engine Options

1

5.0L PFDI V8

Version Code: W5L250038

406 Horsepower

555 Nm of Torque

2

3.5L PowerBoost Full Hybrid

Version Code: W5L250039

436 Horsepower

772 Nm of Torque

Key Highlights

Technical Highlights

- All-New Head-Up Display
- 360-degree camera with front and rear parking sensors
- B&O® Unleashed by Bang & Olufsen® (14 Speakers including Subwoofer)
- Remote Start System with Remote Tailgate Release
- Adaptive cruise control
- 136L Extended fuel tank **V8**
- 4x4 Two-Speed Torque-on-Demand transfer case with Flat Tow Mode
- Intelligent Access with Push-Button Start (incl. Approach Detection)
- Pro Trailer Back-up Assist with Hitch Assist
- Power Inverter - 2.4KW Power-to-the-Box **H**

Interior Highlights

- 12" Digital Drivers display and SYNC 4 infotainment
- 10-way Power Driver w/ Memory and 8-way Power Front Passenger Seat
- Heated and Ventilated Front Seats
- Second-Row Heated Seats
- Under-seat, lockable, fold-flat storage with partitions
- Wireless Apple Carplay and Android Auto
- Navigation center
- Twin Panel Moonroof (43V)
- Dual-zone Electronic Automatic Temperature Control
- Wireless Charger
- Interior work surface with stowable shifter
- Heated steering wheel
- Power-Sliding rear-window with Privacy Tint and Defrost

Exterior Highlights

- All-New Pro Access tailgate
- Black appearance package
- FX4 Off-Road Package (195)
- Dual exhaust with black tips
- 20" Black aluminium wheels
- Power tailgate
- 6" Extended Running Boards
- LED Projector with Dynamic Bending Headlamps
- 360-degree Zone lighting with additional box lights
- BoxLink premium locking tie-down system
- Bedliner Tough Bed Spray-in (96W)
- Bed storage box
- Wheel Well Liner (96L)

Included Packages

Packages refer to factory-installed equipment groups and option packages that come pre-configured with the vehicle. They enhance the vehicle beyond its standard features, adding additional functionality, styling, or performance upgrades as specified in the list below.

Equipment group - High (502A)

6" Extended Running Boards

Second-Row Heated Seats

Head-Up Display

B&O® Unleashed Sound System by Bang & Olufsen®
(14 Speakers including Subwoofer)

Mobile Office Package

LED Projector with Dynamic Bending Headlamps

Heated and Ventilated Front Seats

Remote Start System with Remote Tailgate Release

Adaptive cruise control

10-way Power Driver and 8-way Power
Front Passenger Seat

Mobile Office Package (50M)

Interior Work Surface

Flowthrough Console - Vinyl Lid

Under seat storage

Partitioned lockable fold-flat storage

Onboard 400W outlet

Wireless Charger

Bed Utility Package (68L)

Pro Access tailgate

Power tailgate

Box light

BoxLink system

Black Appearance package (195)

20" six-spoke black alloy wheels

Dual exhaust with black tips

Black Onyx Interior Trim Color

Exterior Mirror Finish - Body-color

Bumper - Front - Painted Body-Color

FX4 Off-Road Package (55A)

Floor mats - Tray-style All-Weather Rubber Mats Front/Rear
(Less Carpet Mats)

Bed decal - FX4

Premium Off-Road-Tuned Front/Rear Shock Absorbers

3.73 Final Drive Ratio w/ Electronic Locking differential

Axle Size - 9.75"

Hill Descent Control™

Skid Plates

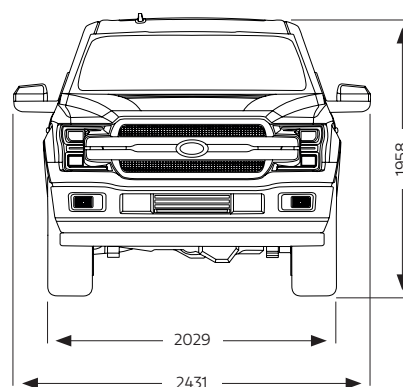
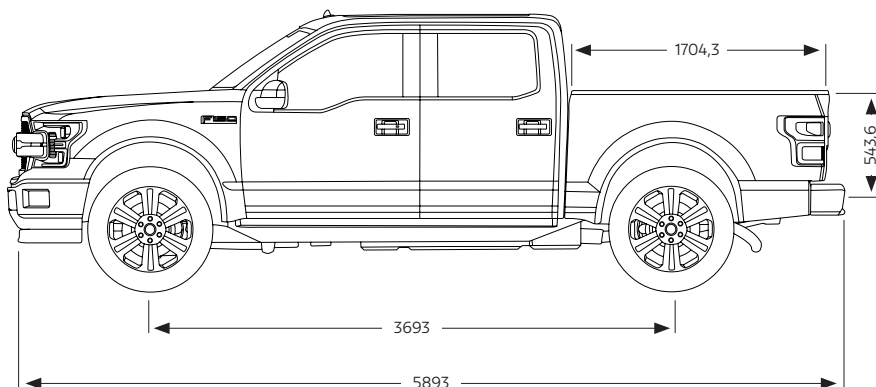
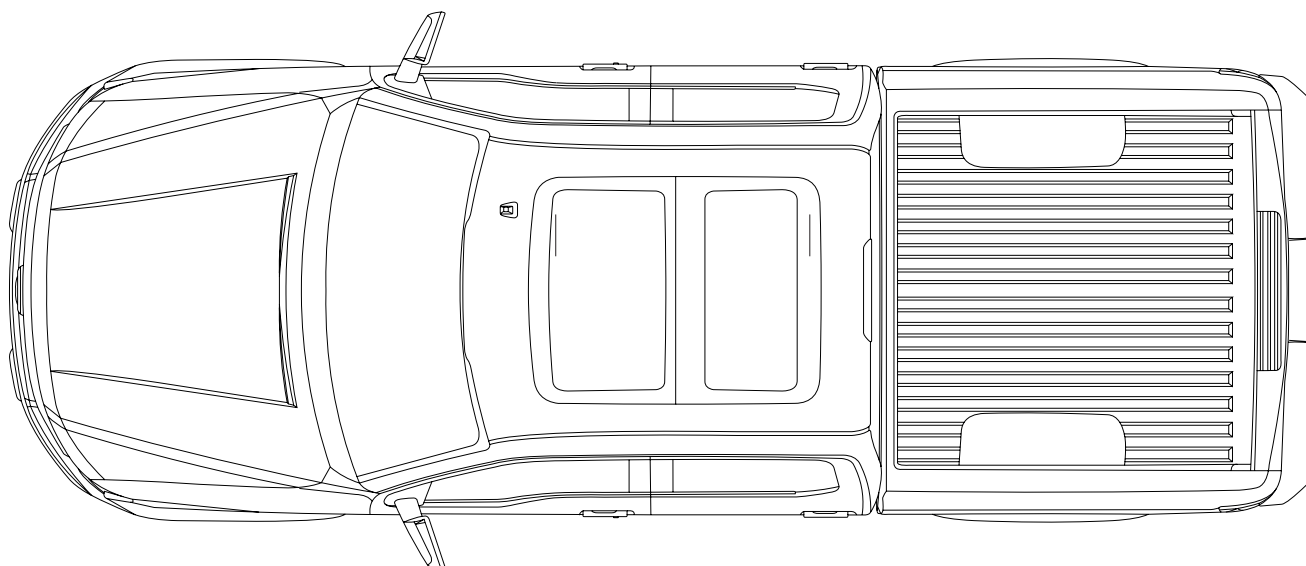
Twin Panel Moonroof (43V)

Wheel well Liner (96L)

Bedliner Tough Bed spray in (96W)

Dimensions

Length: 5.893 mm / Width: 2.029 mm / Height: 1.958mm



Emissions

	Lariat 5.0L V8	Lariat 3.5L FHEV
Final Gear Ratio	3.73 with E-locker	3.73 with E-locker
Fuel Consumption	14,36 l/100 km	10,16 l/100 km
CO2 Emission	342 g/km	242 g/km

Exterior Features

Exterior

Active Bumper Air Dam - Front

Wheel Well Liner

Belt Moldings - Black

Bumper - Front - Painted Body-Color

Bumper - Rear - Painted Body-Color

Bed Decal - FX4 Off-Road

Front Fender Badge - F-150 Lariat

Door Badge - PowerBoost



Mirrors - Dual Power-folding, Power Glass Sideview Mirrors with Heat, Turn Signal, Memory, Auto-Dimming Feature (Driver's Side), HighIntensity LED Security Approach Lamps

Exterior Mirror Finish - Painted Body-color

Running Boards - Extended Length Dark Accent Color

Gloss Black Painted Lariat Grille

Body-Color Handles - Door, Tailgate and Bezel

Front License Plate Bracket

Premium Underbody Coating

Skid Plates

Exterior Lighting

LED Projector with Dynamic bending Headlamps

Daytime Running Lamps (DRL) (On/Off Cluster Controllable)

Auto High Lamp Headlamp

Zone Lighting - 360-Degree Exterior Illumination

LED Sideview Mirror Spotlights - Left/Right Hand Spotlights

Fog Lamps - Front/Rear

Trailer Hook Up Light - Fixed

LED Taillamps

LED Cargo Light - Integrated with Center High Stop Lamp

Glass / Visibility

Twin Panel Moonroof

Electronic Rear-Window Defroster

Power-Sliding Rear Window

Acoustic Laminated Windscreen

Rain-sensing wipers

Rear Privacy Glass

Power Front/Rear Side Windows

Bed Utility

Pro Access Tailgate

BoxLink Tie-down System (Includes four (4) locking cleats)

Powered Tailgate - Key-operated Release and Close

Bed Storage Box

Hooks - Four Standard Tie-downs, Pickup Box

Tailgate - removable with key lock

Bedliner - Tough Bed® spray-in

Interior Features

Instrument Panel and Console

SYNC 4 12" LCD Capacitive Touchscreen with Wireless Apple CarPlay® and Android Auto™ Compatibility

Drivers Display - 12" Productivity Screen

Navigation Center

Heads-Up Display

Dual-zone Electronic Automatic Temperature Control (DEATC)

Heated Leather Wrapped Steering Wheel

Interior Work Surface

Wireless Charger

Leather Wrapped E-Shift Gear Lever

Glove Box Lights

Ice Blue Color Ambient Lighting

Speedometer - KPH/MPH

Overhead Console

Centre Console Lid - Vinyl

Auto-Dimming Rearview Mirror

Sunvisor - Single Illuminated - Driver and Passenger

Universal Garage Door Opener (HomeLink Compatible)

Compass Display in Instrument Cluster

Seats and Trim

Heated and ventilated 10-way power driver and multi-adjustable power front passenger seat (power lumbar driver/passenger) and memory driver's seat.

Front Seats - Bucket Seats 40/Console/40

Lariat Bucket seats with ActiveX Seating Material

Black Onyx Interior Trim Color

Front Headstraints - 2-way Adjustable

Seat - Rear - Heated Outboard Seats

Seat - Rear - 60/40 flip-up split seat with elongated cushion (SuperCrew®)

Map Pockets - Driver Seat Back Mounted

Map Pockets - Passenger Seat Back Mounted

Rear Center Armrest with Cupholder

Door Sill Scuff Plates

Interior Floor - Dark Carpeting

Floor mats - Tray-style All-Weather Rubber Mats Front/Rear (Less Carpet Mats)

Under-seat, lockable, fold-flat storage with partitions

Pedals, Power-Adjustable w/Memory

Steering column - Manual Tilt/Telescoping

Mechanical Features

Engine

3.5L PowerBoost Full Hybrid V6 Engine H

5.0L V8 with Auto Start-Stop Technology V8

Engine Fan - Brushless 800W

Exhaust - Unique Dual Outlet

Unleaded Fuel Capability

Gas - Electric/Hybrid H

3.73 Final Drive Ratio w/ E-Locking Differential

Axle Size - 9.75"

Transmission & Transfer case

Electronic Ten-Speed Automatic

Hybrid Electronic Ten-Speed Automatic Transmission H

SelectShift® Automatic Transmission with Progressive Range Select

4x4 Two-Speed Transfer Case with Torque-on-Demand

Selectable 4WD with High, Low, and Auto Modes

Suspension & Brakes

Premium Off-Road-Tuned Front/Rear Shock Absorbers

Standard Duty suspension

Springs, Front - Coil

Springs, Rear - Leaf, Two-Stage Variable Rate

Axle, Front - Independent Front Suspension (IFS)

Electric Parking Brake

Brakes - 4-Wheel Disc with ABS

Towing

Front Tow Hooks - Two (2)

EU-approved Tow Hook

Class IV Trailer Hitch (incl. Smart Trailer Tow Connector, 13-pin connector (ISO 11446))

Trailer Tow Lighting Module

Fuel System

136L Extended Range Fuel Tank V8

115L Standard Range Fuel Tank H

Easy Fuel Capless Fuel-Filler

Power Supply / Other Mechanical

ProPower - 2.4KW Power-to-the-Box (US Power Outlet, EU Availability TBD) H

Onboard 400W outlet (US Standard, EU Availability TBD) V8

Stop/Start System

Remote Starter

Horn - Dual-Note

H7 Battery

Standard Jack

Safety / Driving Assistance Features

Driver Information / Driving Assistance

Trailer Hitch Guide

Pro Trailer Backup Assist

Collision Mitigation System

Post-Collision Braking

Adaptive Cruise Control

Blindspot Monitoring (BLIS) with Trailer Coverage

Lane Centering Assistance with Lane Changing Warning

Reverse Sensing System

Front Parking Aid

Reverse Brake Assist with Cross-Traffic Alert

Towing Vision System (360° Camera + Towing)

Outside Temperature Display

Emergency Assistance

Hill Descent Control

Selectable Drive Modes: Normal, ECO, Sport, Tow/Haul, Slippery, Deep Snow/Sand, Mud/Rut

Airbags - Front and Seat-Mounted Side Airbag, Driver/Passenger. Safety Canopy Side-Curtain Airbags (1st and 2nd row)

Security and Locking

Intelligent Access with Push-Button Start (incl. Approach Detection)

SecuriLock® Passive Anti-Theft System (PATS) with Electronically Coded Ignition Key

Panic Alarm

Remote Keyless Entry with Power Door Locks and Auto-Lock Feature

Audio

B&O® Unleashed by Bang & Olufsen® with HD Radio™ (14 Speakers including Subwoofer)

SYNC® 4 with Enhanced Voice Recognition

Active noise control

Sound Insulation Pack - Level 1

Export Radio Frequency

Wheels & Tires

20" Gloss Black Painted Aluminum Wheels

275/60/20 BSW all-terrain (4x4) Tires

Black Ford Center Caps

Bright Wheel Lug Nuts

Tire Pressure Sensors - 433 MHZ Low

Spare Wheel & Tire

Spare Wheel - 18" Steel #1

Spare Tire - 265/70/18 BSW all-terrain (A/T)

Spare Tire Carrier - Rear Under Frame



Vehicles may be shown with optional equipment. Features may be offered only in combination with other options or subject to additional ordering requirements/limitations. Dimensions shown may vary due to optional features and/ or production variability. Information is provided on an "as is" basis and could include technical, typographical or other errors. Ford & Hedin US Motor makes no warranties, representations, or guarantees of any kind, express or implied, including but not limited to, accuracy, currency, or completeness, the operation of the information, materials, content, availability, and products. Hedin US Motor reserves the right to change product specifications, pricing and equipment at any time without incurring obligations.

Fuel consumption (combined): 10.15-16.44 l/100km; CO2 emissions (combined): 242-342 g/km. Consumption and emission figures are calculated according to Regulation (EC) 692/2008 and comply with California Code regulations. Note: values may not fully represent real-world driving conditions.

Published by Hedin US Motor AB. ©2025 Hedin US Motor AB

